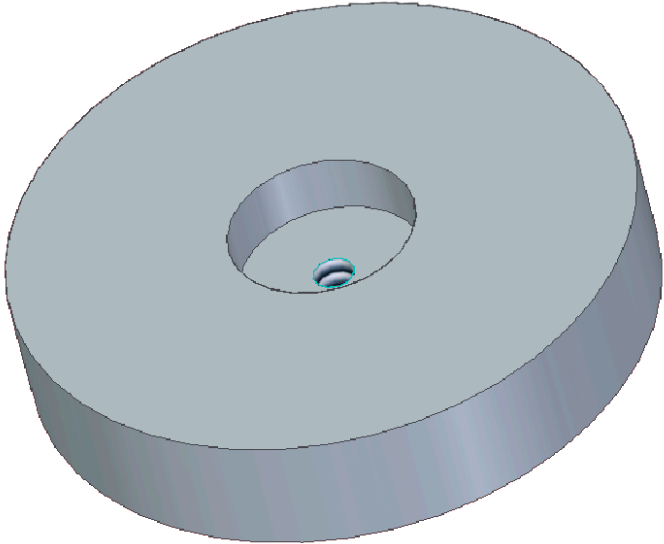
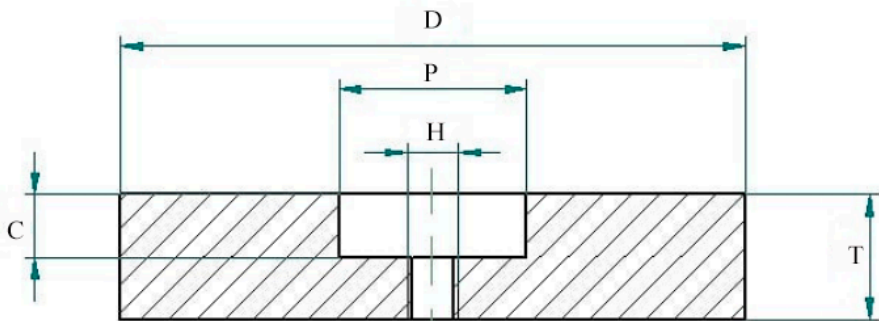


# Flat Wheels with shape and nut



## Uses

Set of cylindrical and conical wheels made with resin bond. Useful for large grindings or deburring in foundries, steelworks and boilermaking. The nut accommodates the standard sizes of grinders and similar equipment.



D	T	P	C	H
100	20	30	1	M-5/8
* Ask for other sizes				