

# Shape Wheels

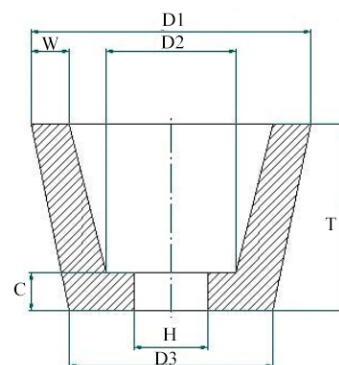
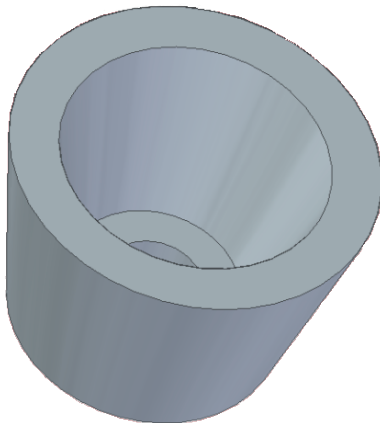


## Uses

Manufactured with resins and used for large grindings or deburring in foundries, steelworks and boilermaking. We developed different shapes to fit each customer needs.

| D   | T  | W  | E  | H     |
|-----|----|----|----|-------|
| 60  | 35 | 10 | 10 | 20    |
| 105 | 40 | 10 | 10 | 15,22 |
| 125 | 50 | 25 | 15 | 22    |
| 127 | 80 | 25 | 20 | 50    |
| 150 | 70 | 25 | 15 | 22    |
| 150 | 50 | 20 | 15 | 25    |
| 150 | 65 | 30 | 20 | 25    |
| 180 | 80 | 15 | 25 | 50,8  |
| 250 | 30 | 55 | 30 | 35    |

\* Ask for other sizes



| D1/ D2/ D3  | T  | W     | E  | H     |
|-------------|----|-------|----|-------|
| 75/35/55    | 50 | 10    | 10 | 20    |
| 11/55/90    | 55 | 20    | 10 | 20,22 |
| 125/55/95   | 55 | 30,35 | 20 | 20    |
| 125/55/95   | 55 | 30,35 | 20 | M-14  |
| 130/55/100  | 55 | 25    | 20 | 20    |
| 130/55/100  | 55 | 25    | 20 | M-14  |
| 150/64/120  | 55 | 35    | 20 | 20,32 |
| 175/150/160 | 60 | 10    | 30 | 35    |
| 175/10/125  | 60 | 20    | 20 | 40,5  |

\* Ask for other sizes