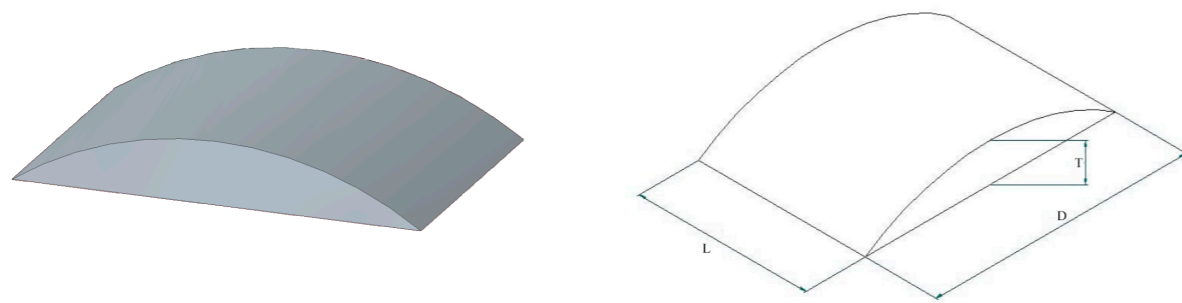
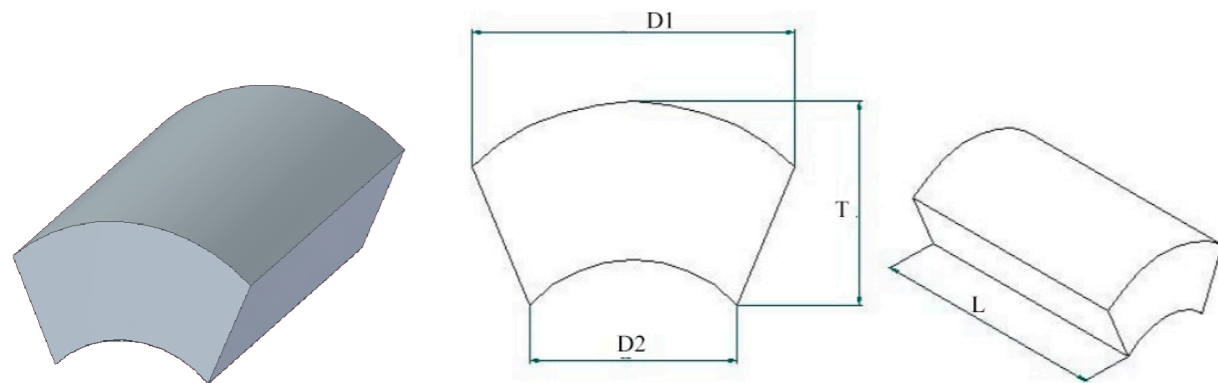


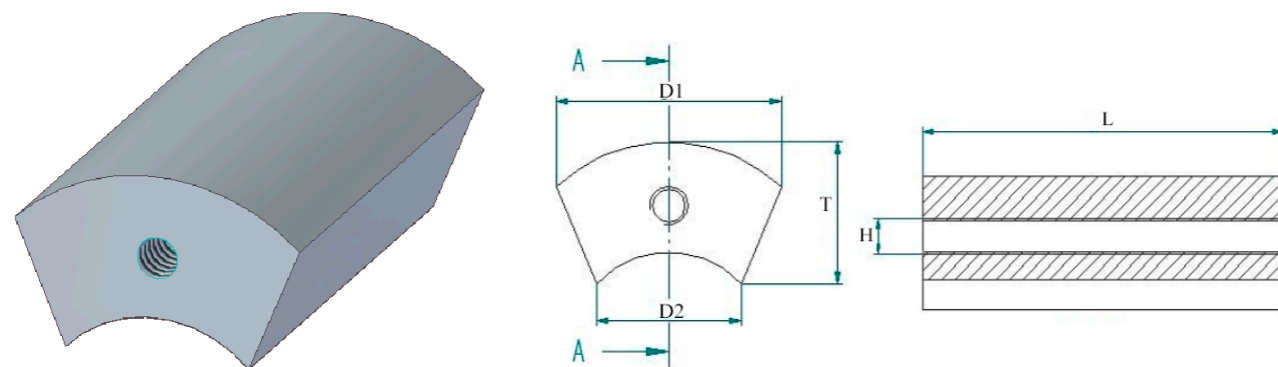
Segments



D	T	L
195	30	130
* Ask for other sizes		



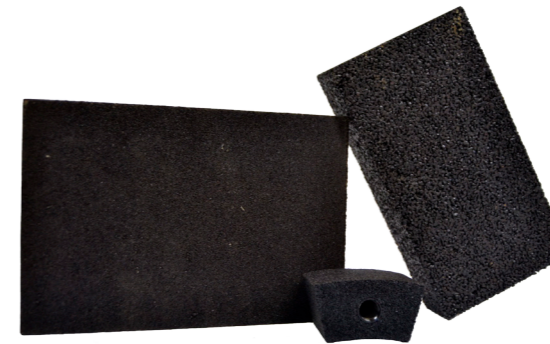
D1/D2	T	L
70/45	30	120
90/60	30	150
80/70	30	160
* Ask for other sizes		



D1/D2	T	L	H
62/46	31	45	M-12
* Ask for other sizes			

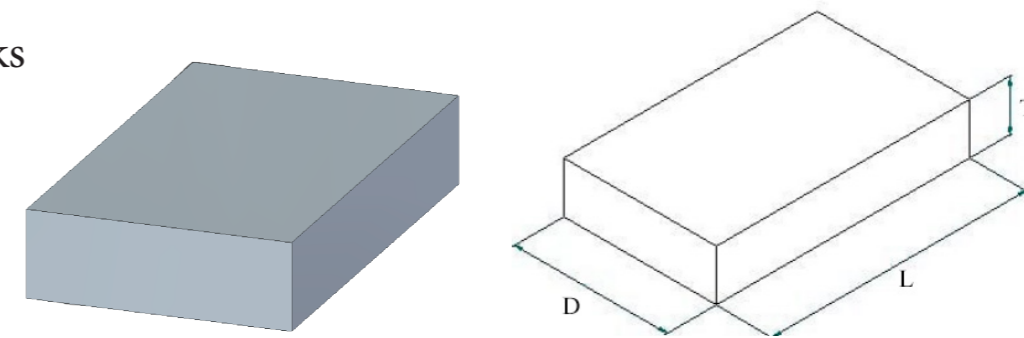
Blocks and mastabas

Uses



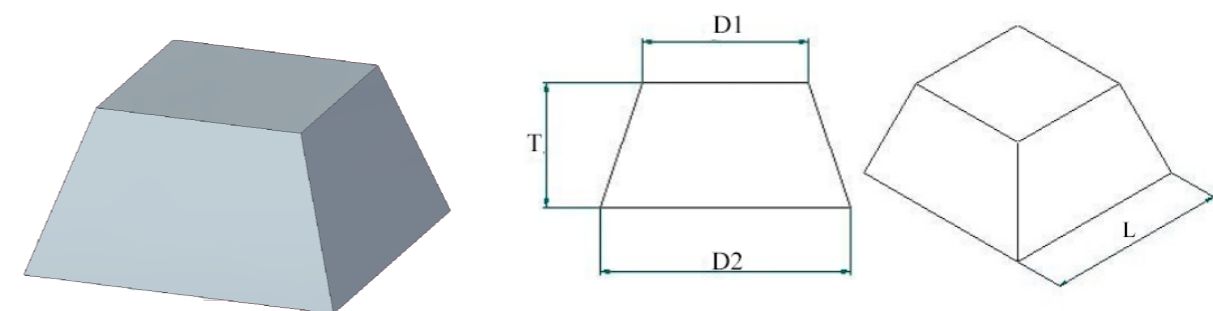
The segments are particularly suitable for grinding metals. Blocks and mastabas, however, is better suited for polishing processes. There are a variety of sizes and hardnesses.

Blocks



D	T	L
50	18	100
90	30	150
* Ask for other sizes		

Mastaba



D1/D2	T	L
40/37	25	90
55/45	15	100
60/40	25	100
60/55	25	120
70/65	20	140
75/60	25	150
105/91	35	150
103/94	37	180
* Ask for other sizes		